

Multi-Messenger® USB



Nel-Tech Labs Digital Messaging System

Amusement Parks • Museums • Exhibits & Displays

The **Multi-Messenger® USB** is a solid-state digital message repeater that installs easily into any messaging application that requires triggered or timed message play. The Multi-Messenger USB will play up to 99 MP3 files encoded in a wide variety of bit rates from 8Kbps up to near CD-quality rates of 128Kbps.

Messages are triggered either by the eight contact inputs on the rear of the unit or utilizing its built-in interval timer circuit. A wide variety of features such as an active output can be connected to LEDs or relays for activation when a message is playing or a stop trigger to terminate message play.

A built-in 12VDC auxiliary output allows motion detectors or heat sensors to be powered from the unit. All incoming triggers can be configured for normally-open or normally-closed triggering, as well as play once or play continuous. A rotate feature can be activated on the unit allowing for a different message to be played each time the main trigger is activated.

Programming of features is extremely easy by using the manual and setting the DIP switches on the bottom of the unit.

Background music can be fed through the unit and when a message is triggered the built-in digital fader will fade down the music and play the selected message. After the message is played the background music will fade back up to its previous level.

The Multi-Messenger USB features include:

- Plays MP3 files from USB Flash Drive
- Up to 4GB Flash drives supported
- No drivers or special software needed
- Playback quality up to 128Kbps
- Store up to 99 messages
- Triggered and/or interval playback
- Active output indication circuit
- Stop message play trigger
- Auxiliary 12VDC output for wiring sensors
- Built-in monitor speaker
- LED status indicator
- 5-year parts and labor warranty



USB
Flash Drive
Included!

Each Multi-Messenger USB is built to exacting quality standards using state-of-the-art assembly equipment for outstanding reliability and years of dependable service.



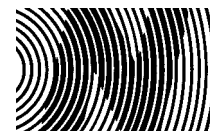
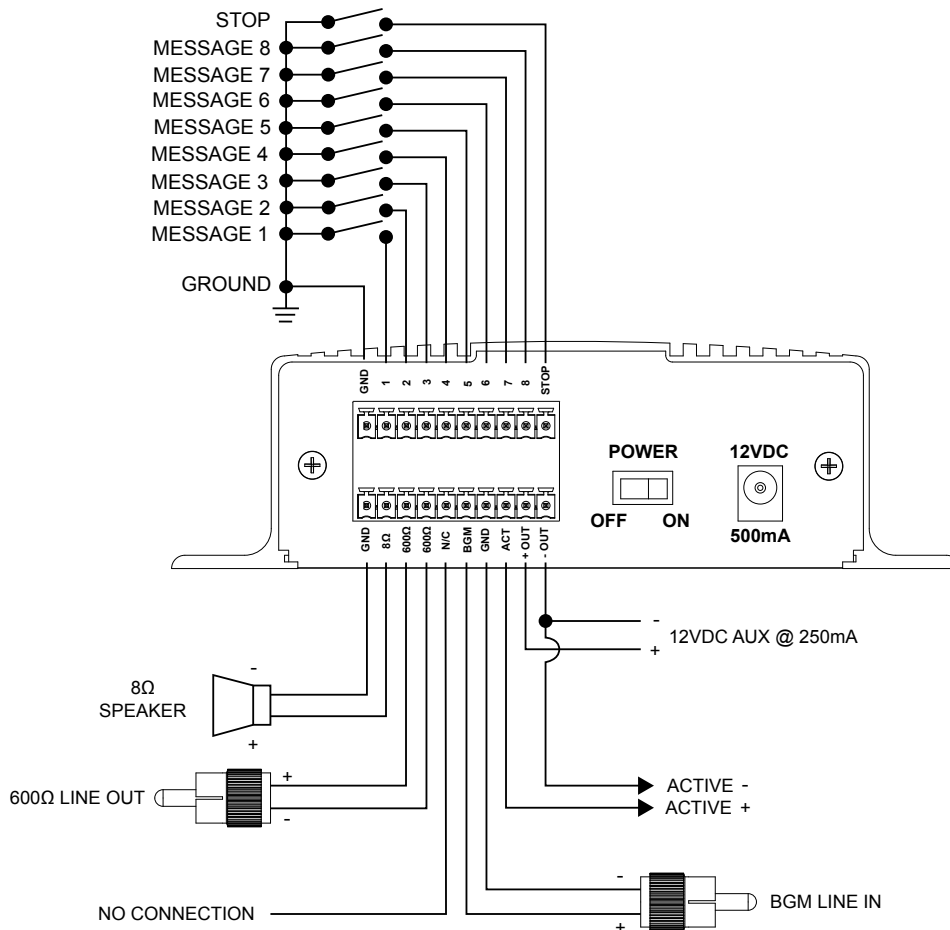
Specifications

Technical

Decoding MPEG (.mp3)
 Frequency Response ... 20Hz to 20KHz
 Bit Rate 8Kbps to 128Kbps
 Sample Rate 16KHz to 48KHz
 Memory Type USB Flash Drive
 Memory Capacity 16MB to 4GB
 Message Capacity Up to 99 messages
 Message Loading Computer via USB Flash Drive

Message Playback Triggered and/or Interval
 Power 12VDC @ 500mA
 Audio Output Mono on I/O connector
 Adjustable volume control
 Impedance 6V p-p @ 8Ω or 3V p-p @ 600Ω
 Size 6.00" x 6.00" x 1.50" (H x W x D)
 Color Black
 Shipping Weight 3 pounds

Back View



Nel-Tech Labs, Inc.
 4 Ash Street Extension • Derry, NH 03038
 800.344.4685 • 603.425.1096
 www.nel-techlabs.com • sales@nel-techlabs.com